

Paramount 26 Ltd  
Euro Court  
7 Oliver Close  
Grays  
Essex, RM20 3EE

Tel :01708 863546  
Fax:01708 863595  
www.paramount26.co.uk

This drawing is the property of Paramount 26 Ltd. The drawing may be not be reproduced without the written authorisation of Paramount 26 Limited. All Intellectual property rights are expressly reserved. Copyright 2012.

rev

rev

Title

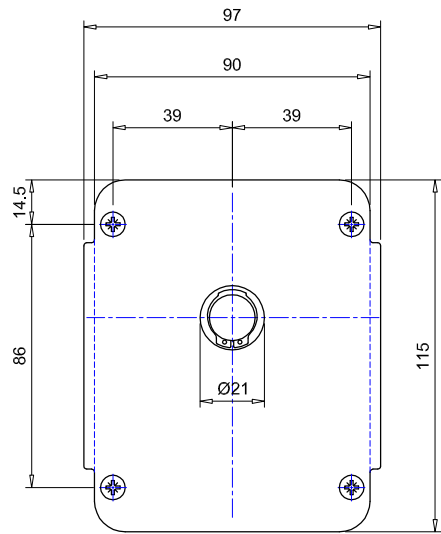
Paramount W59M-140 tubular motor assembly details when mounted on steel wall plate.

Date 12/9/2012

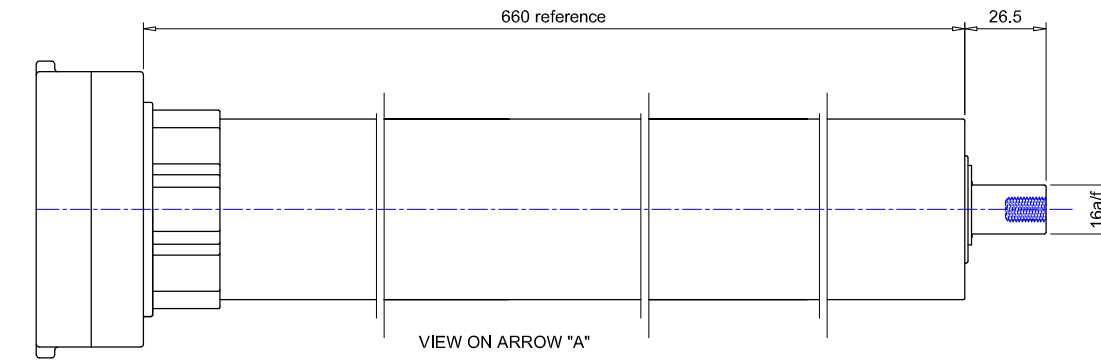
Dwn by J Reid

Ch'k'd by T Watson

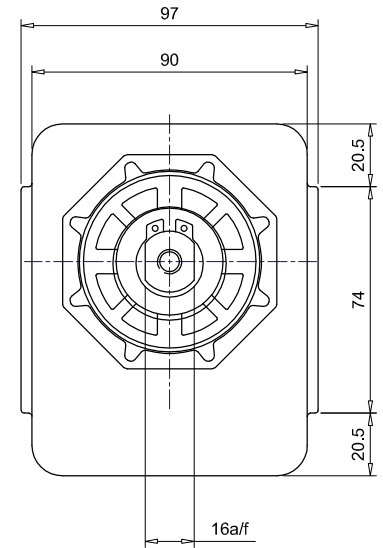
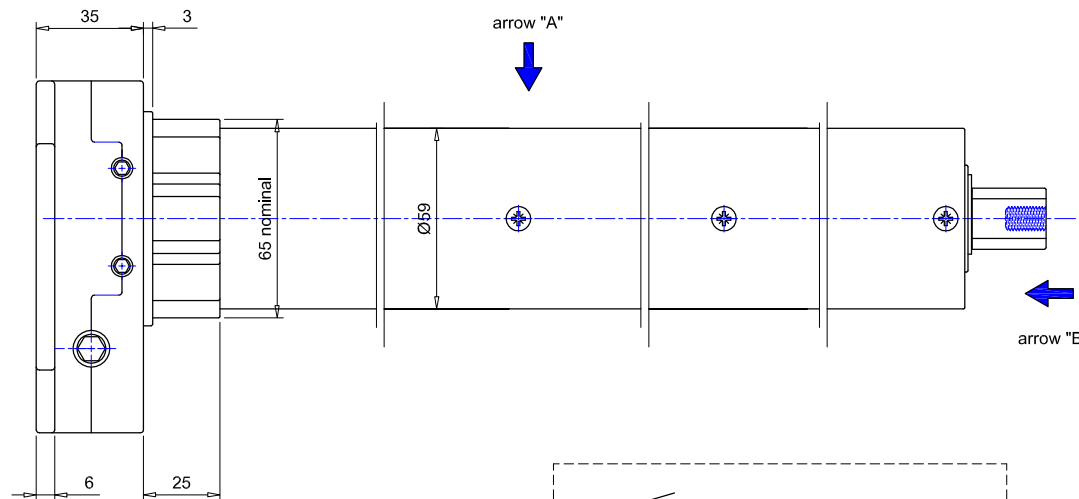
Dwg # RS/TM/W59M-110/30003-001-2



VIEW ON ARROW "C"

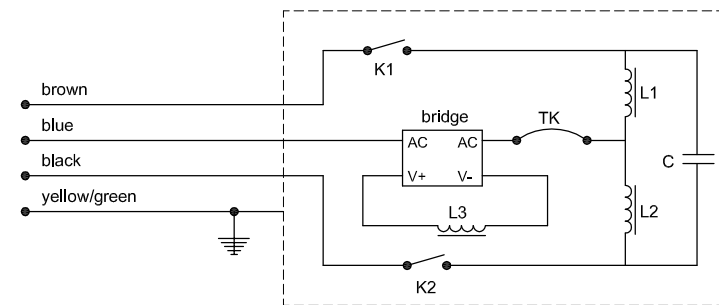


VIEW ON ARROW "A"



VIEW ON ARROW "B"

SPECIFICATION	
Tube motor reference	W59M-140
Rated voltage	230VAC, single phase, 50Hz
Input power	290watts
Running capacity	16uF/450VAC
Rated torque	140Nm
Output speed	6rpm
Insulation class	F
Ingress protection	IP44
Running time	4min

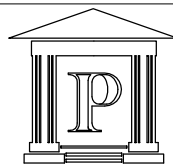


CONNECTION DETAILS

Item	Quantity	Description
------	----------	-------------

BILL OF MATERIAL

Title	Date	14/9/2012
Paramount W59M-140 tubular motor details, specification and connection diagram. (Wall plate mounting.)	Dwn by	J Reid
	Ch'k'd by	T Watson
	Dwg # RS/TM/W59M-140/30003/001-1	



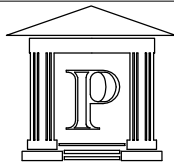
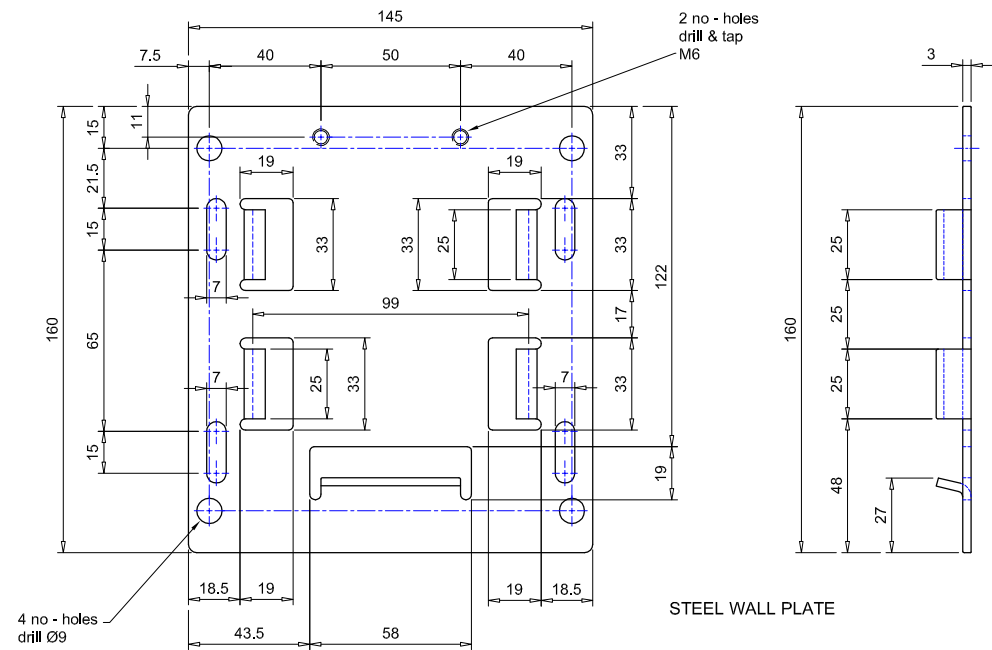
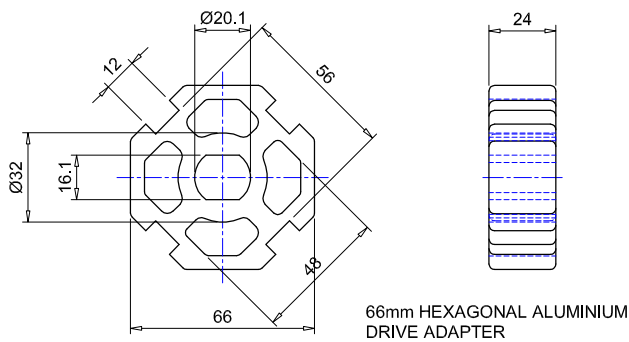
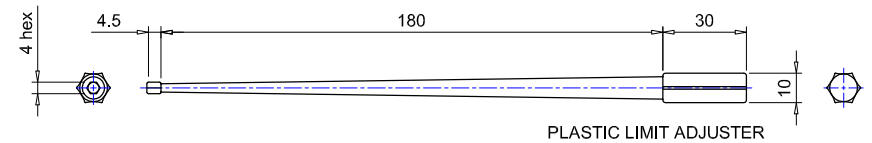
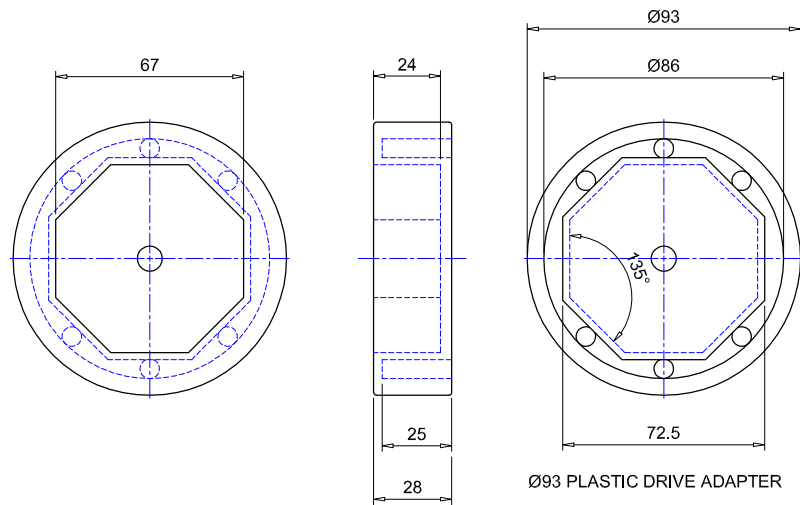
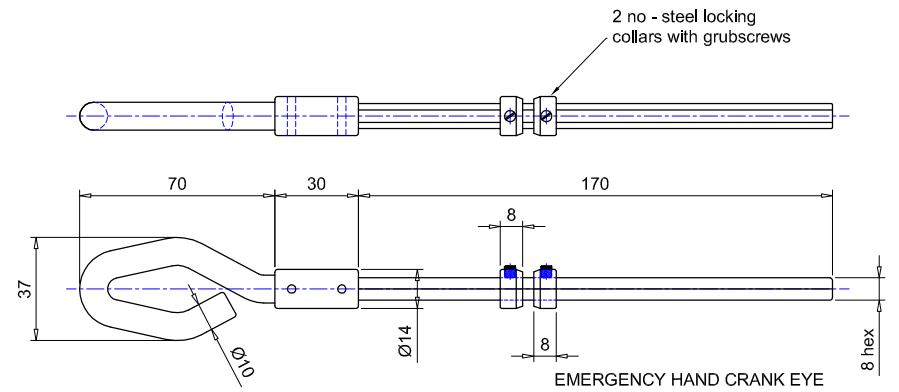
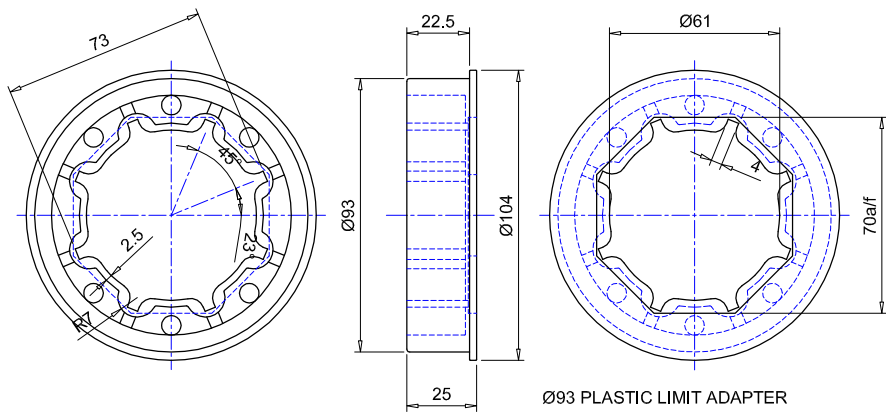
Paramount26 Ltd  
Euro Court  
7 Oliver Close  
Grays  
Essex, RM20 3EE

Tel :01708 863546  
Fax: 01708 863595  
www.paramount26.co.uk

This drawing is the property of Paramount 26 Ltd. The drawing may not be reproduced without the written authorisation of Paramount 26 Limited. All intellectual property rights are expressly reserved. Copyright 2012.

rev

rev



Paramount 26 Ltd  
Euro Court  
7 Oliver Close  
Grays  
Essex, RM20 3EE

Tel: 01708 863546  
Fax: 01708 863595  
www.paramount26.co.uk

This drawing is the property of Paramount 26 Ltd. The drawing may be not be reproduced without the written authorisation of Paramount 26 Limited. All Intellectual property rights are expressly reserved. Copyright 2012.

rev

rev

Title

Paramount W59M-140 tubular motor accessories in the transport carton. (Wall plate configuration.)

Date

12/9/2012

Dwn by

J Reid

Ch'k'd by

T Watson

Dwg # RS/TM/W59M-110/30003/001-3