

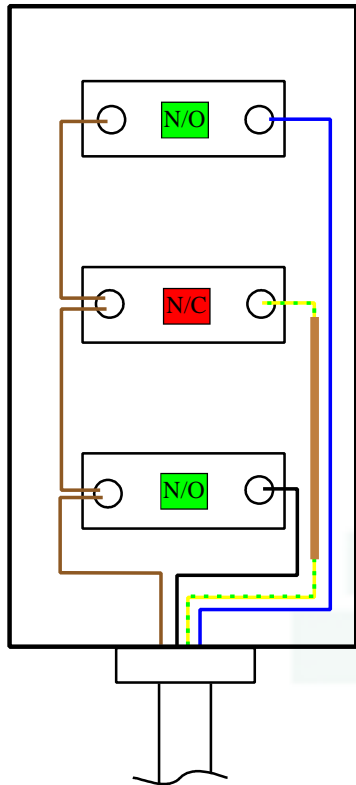
All Paramount 26 Push Buttons are provided unwired, Provision of interlock wiring for some control is recommended as per the guidance diagrams below is the responsibility of the installer and damage to the motor or controls due to incorrect wiring will invalidate warranty,

3-BUTTON PUSH BUTTON UP-DOWN-STOP

Warning- Read these instructions fully before use, Installation should only be carried out by a COMPETENT Installer

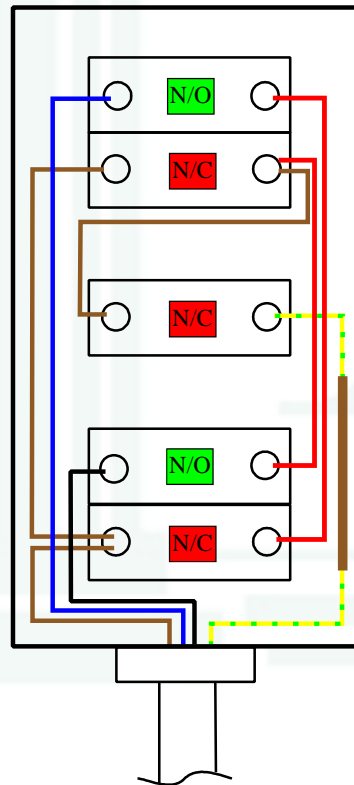
Colours shown are for reference only and may vary according to cable available.

Basic Non interlock wiring



Push Button wired with interlock

Red Cable used to show interlock for Clarity



Connections to Paramount MiniMax

