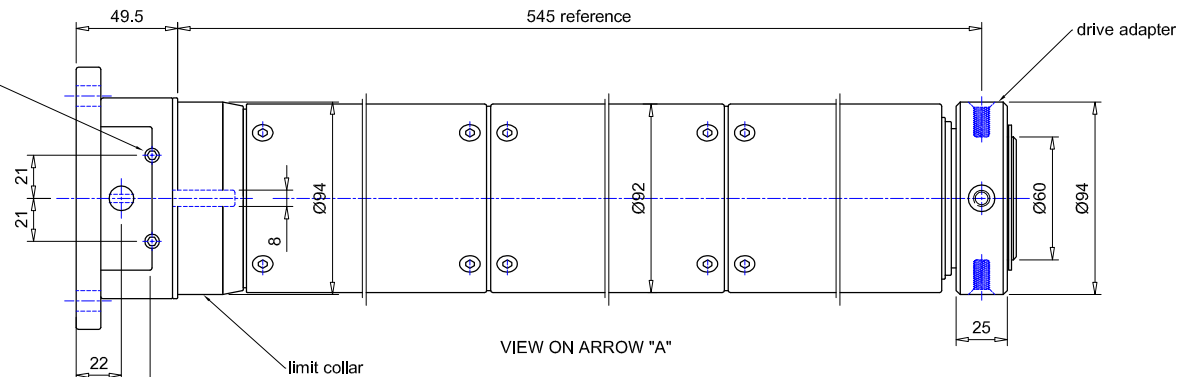
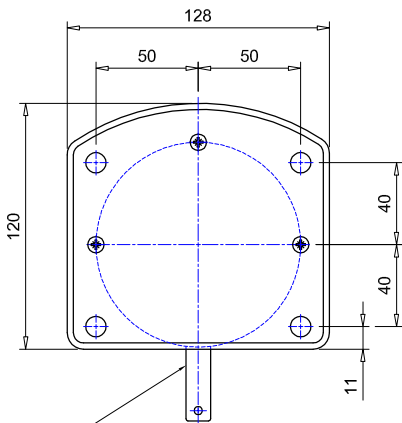


limit travel adjusters

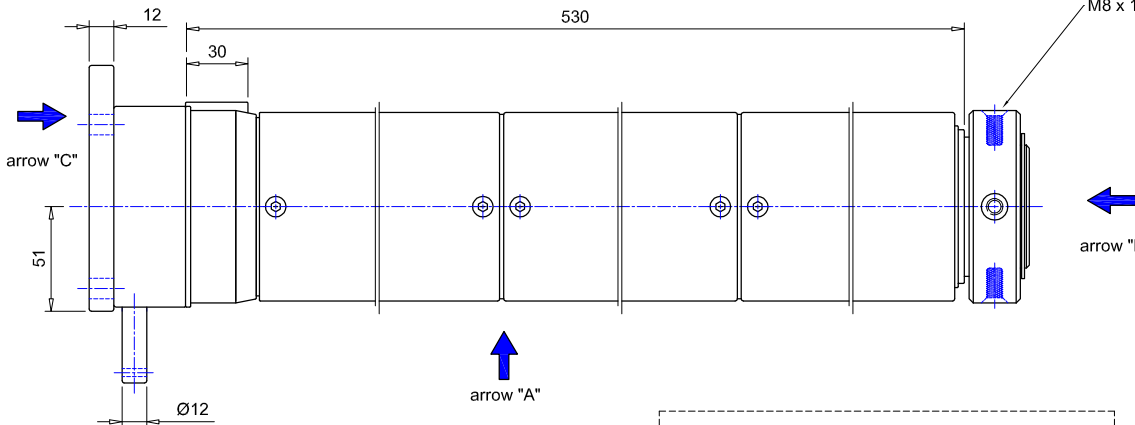


VIEW ON ARROW "A"



VIEW ON ARROW "C"

winding eye output shaft



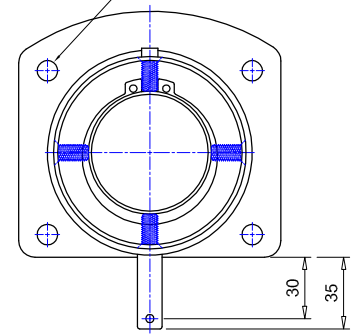
arrow "A"

arrow "B"

arrow "C"

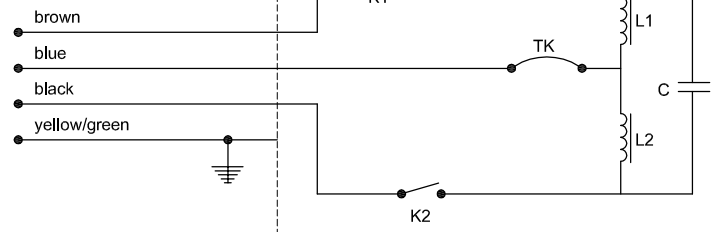
4 no - holes drill & tap M8 x 17mm deep

4 no - holes Ø10.2



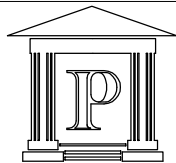
VIEW ON ARROW "B"

SPECIFICATION	
Tube motor reference	W92M-230
Rated voltage	230VAC, single phase, 50Hz
Input power	570watts
Running capacity	26uF/450VAC
Rated torque	230Nm
Output speed	12rpm
Insulation class	F
Ingress protection	IP44
Running time	S2 4min



CONNECTION DETAILS

Item	Quantity	Description
BILL OF MATERIAL		
Title		Date 24/9/2012
Paramount W92M-230 tubular motor details, specification and connection diagram.		Dwn by
		Ch'k'd by
		Dwg # RS/TM/W59M-140/30004/001-1



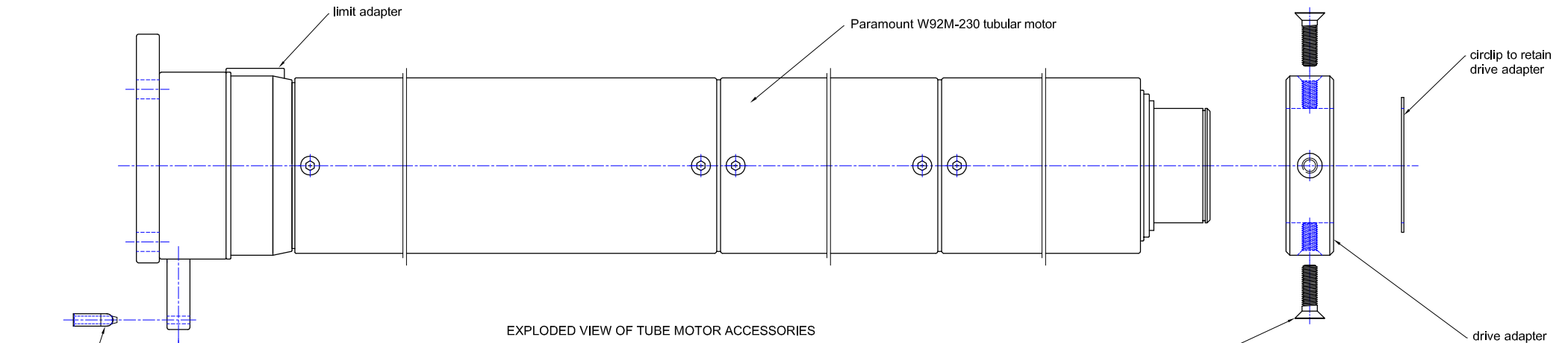
Paramount 26 Ltd  
Euro Court  
7 Oliver Close  
Grays  
Essex, RM20 3EE

Tel: 01708 963648  
Fax: 01708 963686  
www.paramount26.co.uk

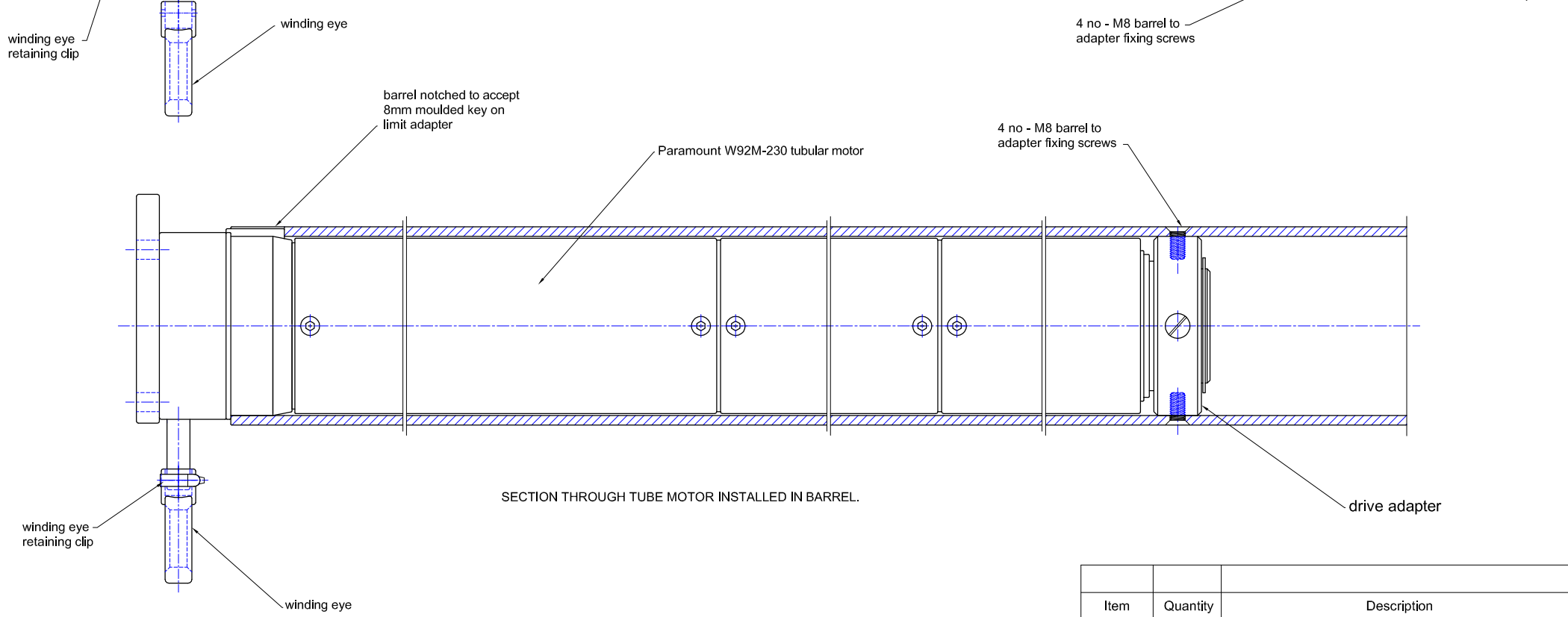
This drawing is the property of Paramount 26 Ltd. The drawing may not be reproduced without the written authorisation of Paramount 26 Limited. All intellectual property rights are expressly reserved. Copyright 2012.

rev

rev

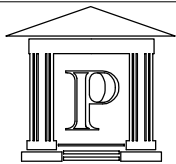


EXPLODED VIEW OF TUBE MOTOR ACCESSORIES



SECTION THROUGH TUBE MOTOR INSTALLED IN BARREL.

Item	Quantity	Description	
BILL of MATERIAL			
Title		Date	25/9/2012
Paramount W92M-230 tubular motor assembly in typical barrel.		Dwn by	
		Ch'k'd by	
		Dwg # RS/TM/W59M-140/30004/001-2	



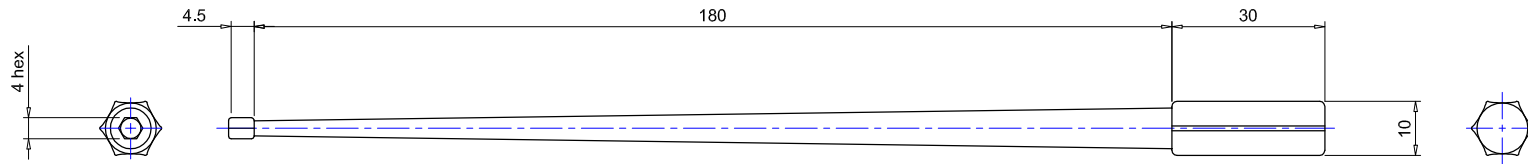
Paramount 26 Ltd  
Euro Court  
7 Oliver Close  
Grays  
Essex, RM20 3EE

Tel: 01708 863548  
Fax: 01708 863585  
www.paramount26.co.uk

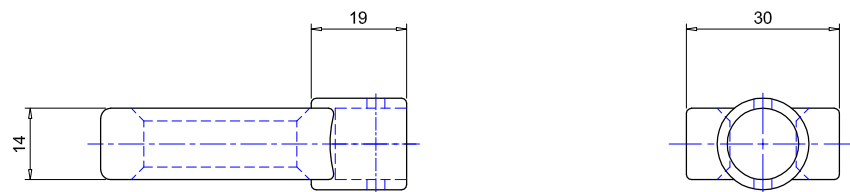
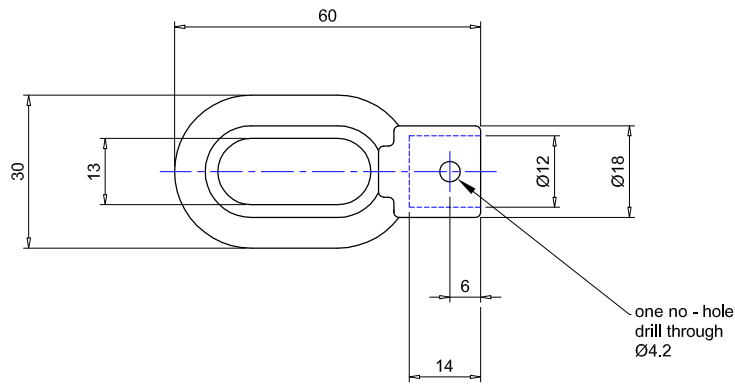
This drawing is the property of Paramount 26 Ltd. The drawing may be not be reproduced without the written authorisation of Paramount 26 Limited. All Intellectual property rights are expressly reserved. Copyright 2012.

rev

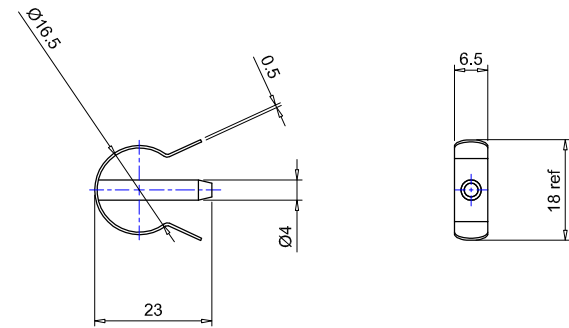
rev



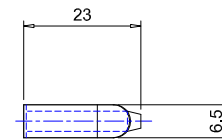
PLASTIC LIMIT ADJUSTER



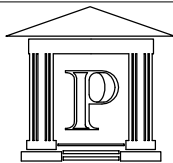
CAST ALUMINIUM WINDING EYE



SPRING STEEL WINDING EYE RETAINING CLIP



Item	Quantity	Description
BILL OF MATERIAL		
Title		Date 25/9/2012
Paramount W92M-230 tubular motor accessories in the transport carton.		Dwn by
		Ch'k'd by
		Dwg # RS/TM/W59M-140/30004/001-3



Paramount 26 Ltd  
Euro Court  
7 Oliver Close  
Grays  
Essex, RM20 3EE

Tel: 01708 863548  
Fax: 01708 863585  
www.paramount26.co.uk

This drawing is the property of Paramount 26 Ltd. The drawing may be not be reproduced without the written authorisation of Paramount 26 Limited. All intellectual property rights are expressly reserved. Copyright 2012.

rev

rev