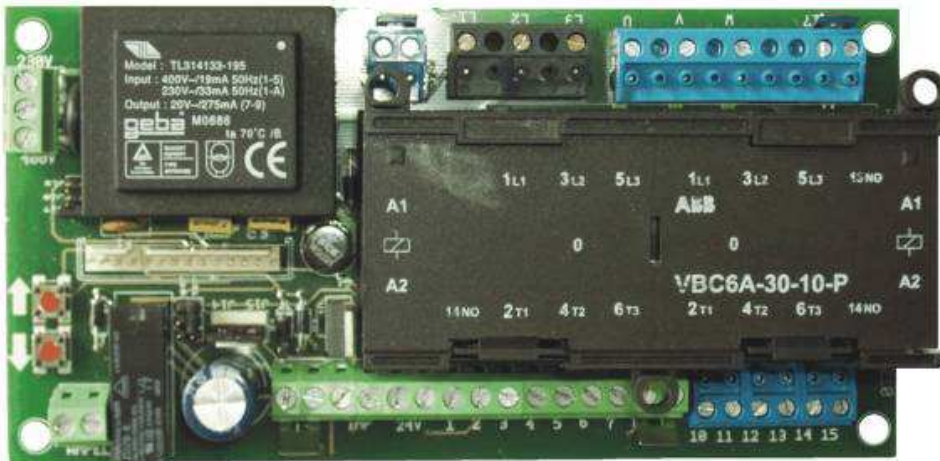


Door control MiniMax 3 S



Operation Manual

English

The door control DC MiniMax 3 S is designed for hold to run control of power operated doors. The basic version is designed for hold to run operation only, but it can be extended individually by an optional module.

Safety Directions

- In case of using DC MiniMax 3 S with a permanent mains connection, an all-pole main switch with an appropriate back-up fuse must be provided.
- With three phase motor connection an external fuse in the main supply should be max. 10A delayed.
- Before operation, check whether the permissible mains voltage range of the device corresponds to the local mains voltage.
- With three phase motor connection it must have right phase rotation.



During installation, initial operation, maintenance and testing of the DC MiniMax 3 S it is necessary to observe the safety and accident prevention regulations valid for the specific application. Only trained electrical craftsmen should work on electrical equipment.

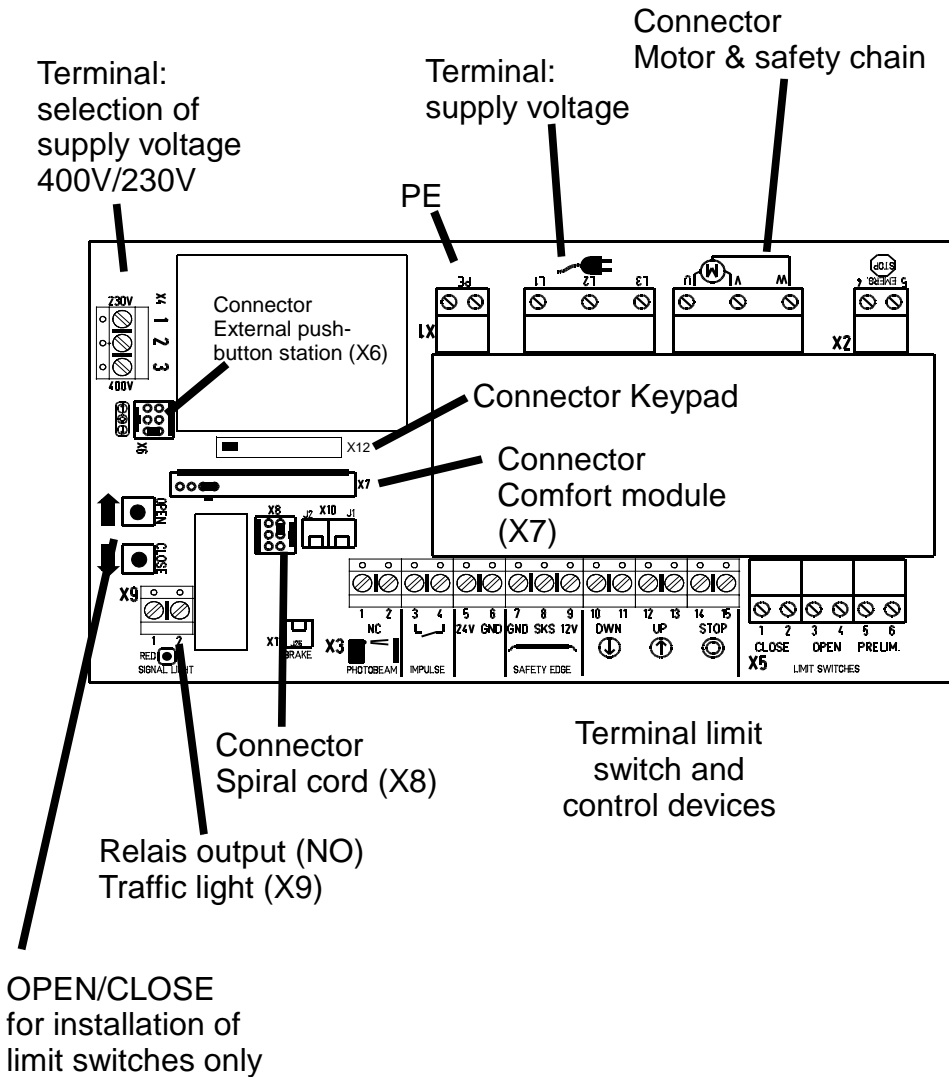
Technical Data

| | |
|------------------------------|---------------------------|
| Model | DC MiniMax 3 S |
| Supply voltage | 230 VAC or 400 VAC |
| Frequency | 50 Hz |
| Protection class | IP 54 |
| A max. | 10 A |
| Operation temperature | - 10 C° to + 55 C° |

Operation Manual

English

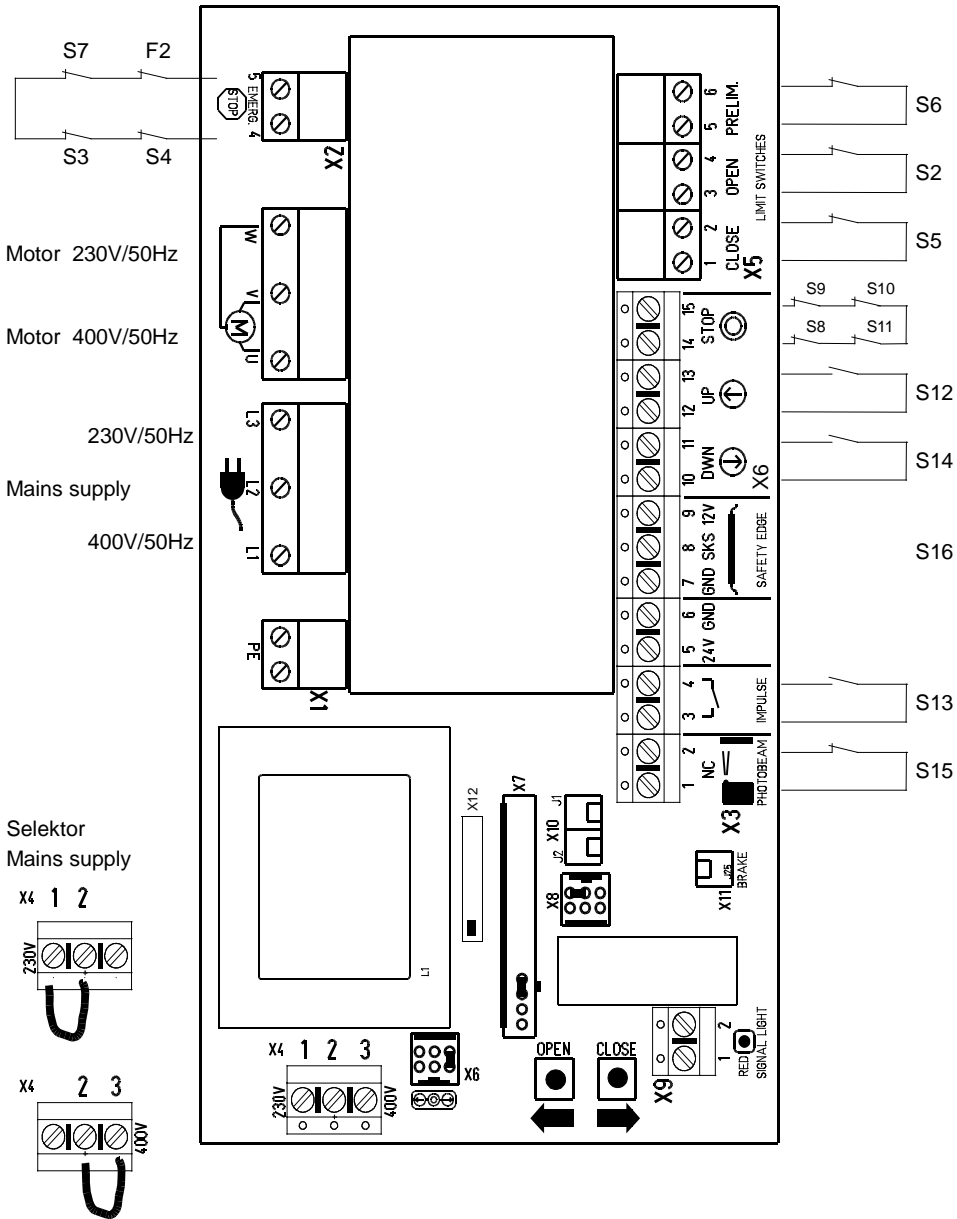
Main board DC MiniMax 3S



Operation Manual

English

Main board DC MiniMax 3S



Operation Manual

English

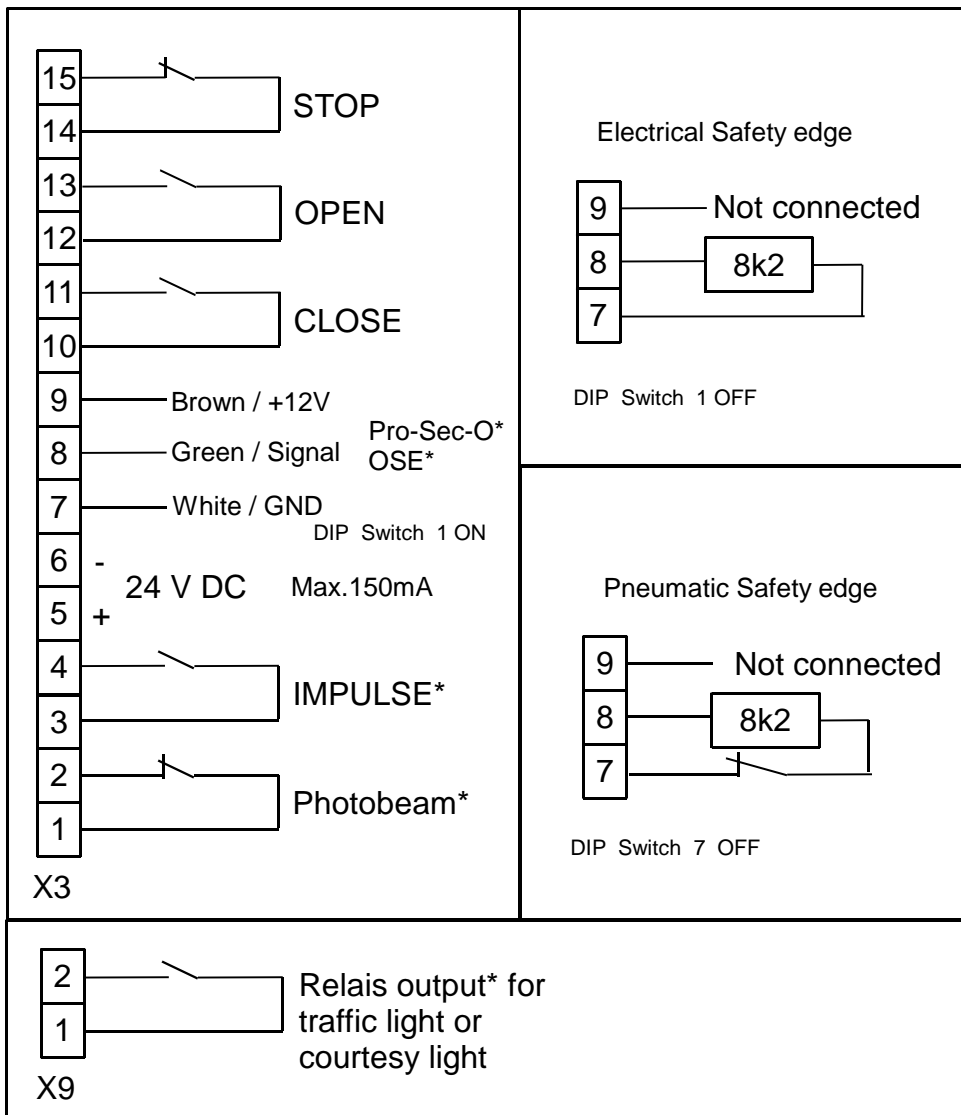
| | |
|-----|--|
| F2 | Thermal protection |
| K1 | Contacteur Close |
| K2 | Contacteur Open |
| K3 | Traffic Light |
| M1 | Motor connection |
| S01 | Installation switch Open |
| S02 | Installation switch Close |
| S1 | Aux. limit switch Open |
| S2 | Limit switch Open (NC) |
| S3 | Safety limit switch Open (NC) |
| S4 | Safety limit switch (NC) |
| S5 | Limit switch Close (NC) |
| S6 | Aux. limit switch Close |
| S7 | Safety switch hand crank (NC) |
| S8 | Safety switch slack wire (NC) |
| S9 | Emergency stop (NC) |
| S10 | Safety switch passor (NC) |
| S11 | Push button STOP (NC) |
| S12 | Push button Open (NO) |
| S13 | Push button IMPULSE (NC) Open – STOP – Close * |
| S14 | Push button Close (NO) |
| S15 | Photo beam (NC) * |
| S16 | Safety edge * |
| T1 | Transformer |
| X1 | Mains supply |
| X2 | Motor connection |
| X3 | Connection |
| X4 | Selector supply voltage |
| X5 | Connector limit switches |
| X6 | Connector push button station |
| X7 | Connector for plug in module |
| X8 | Connector for spiral cord |
| X9 | Connector for Signal-Light |
| X10 | Selector hold to run / self-hold |
| X11 | Connector for external brake |
| X12 | Connector for keypad |

* only active with comfort module

Operation Manual

English

Wiring Diagrams



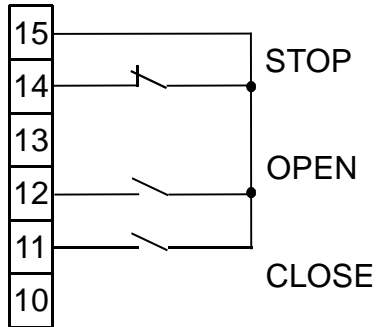
* only possible, if comfort module is used

Operation Manual

English

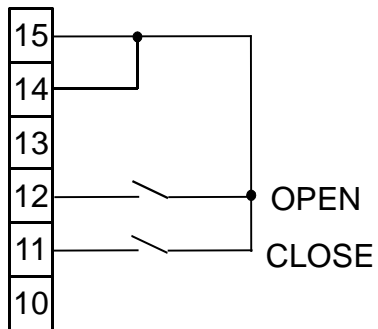
Wiring Diagrams

OPEN / STOP / CLOSE buttons
(4-lead solutions)

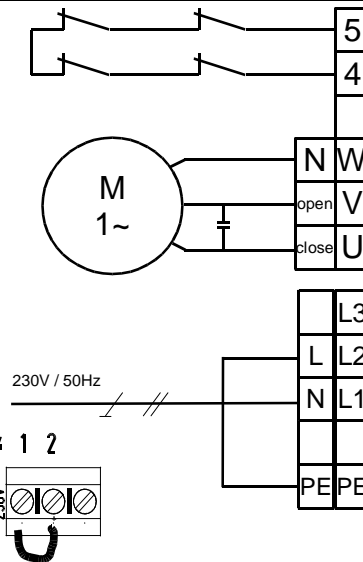
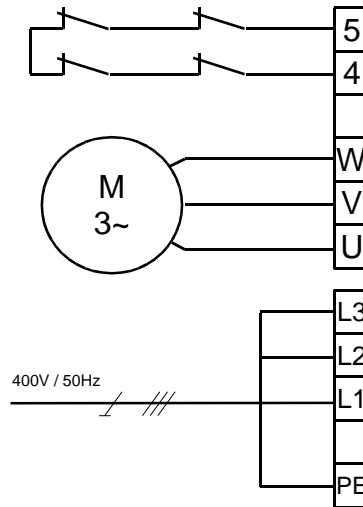


X3

OPEN / CLOSE Key switch
(3-lead solutions)



X3

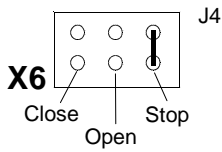


* only possible, if comfort module is used

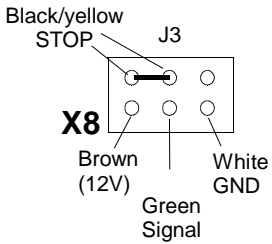
Operation Manual

English

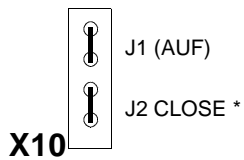
Wiring Diagrams



Connector external push button station
if not used, J4 has to be bricked

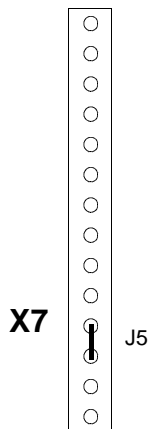


Connector spiral cord
if not used, J3 has to be bricked



Self-hold: J1 / J2 closed
Hold to run: J1 / J2 open

Self-hold is only allowed, if all safety devices necessary for the application are used !



Connector comfort module

If no module is used, J5 has to be bricked.



bricked



Not bricked

Operation manual

For use with DC MiniMax S English

Installation (Note without this Module Many inputs will have no function)

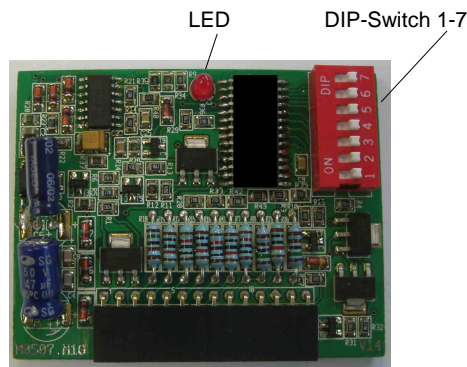
- ➡ Plug in the board into the connector X7
- ➡ Plug in Jumper J2 on connector X9

Functionality

- Opto- electronic safety edge e.g. Pro-Sec-O
- Electrical Safety edge
- Pneumatic safety edge with test
- Automatic Closing feature
- Courtesy or traffic light
- Run time monitoring

Dip Switches Closing Time

| | DIP 3 | DIP 4 |
|----------|-------|-------|
| 15 sec. | off | off |
| 30 sec. | on | off |
| 60 sec. | off | on |
| 120 sec. | on | on |



| Dip switch | ON | OFF |
|------------|---|------------------------------------|
| 1 | OPTO SE | 8,2 kOhm SE |
| 2 | Automatic closing active | Automatic closing deactivated |
| 3 | Automatic closing time (see table) | Automatic closing time (see table) |
| 4 | Automatic closing time (see table) | Automatic closing time (see table) |
| 5 | Open Push Button Go function on 4 | Open Push Button Go function off |
| 6 | Prewarning Active | Prewarning Deactivated |
| 7 | Pneumatic SE with testing 1 | No testing |

Operation manual

For use with DC MiniMax S English

Overview of DIP switch functions

| Dip switch | Setting | Funktion | Connection |
|----------------|---------|--|-----------------------|
| DIP 1 | OFF | Evaluation for 8,2 Kohm closing safety edge Evaluation for pneumatic closing safety edge in connection with an 8,2KOhm resistance | X3 Terminal 7 + 8 |
| DIP 1 | ON | Evaluation for OPTO closing safety edge | X3 Terminal 7 + 8 + 9 |
| DIP 2 | OFF | Automatic closing timer is switched off | |
| DIP 2 | ON | Automatic closing timer is switched on. From the OPEN end position, the door closes automatically after the programed door-open duration expires. Basic funktionen when automatic closing timer is switched on <ul style="list-style-type: none"> • If the photocell barrier is interrupted during closing, the door stopts and then opens again. The door open duration starts anew. • If the photocell barrier is interrupted during the door open duration, the door open duration starts anew. • If the closing safety edge systems is activated during closing, the door stops and then opens again. The door open duration starts anew. If the closing safety edge device is activated three times during an cycle, the door does not close automatically again. | |
| DIP 3 DIP 4 | | Automatic closing time See table | |
| DIP 5 | OFF | Open push button GO funktion off The OPEN pushbutton only opens a door. | |
| DIP 5 | ON | Open push button GO funktion on The OPEN pushbutton opens a door, reversing a closing door. | |

Operation manual

For use with DC MiniMax S

English

Overview of DIP switch functions

| Dip switch | Setting | Funktion | Connection |
|------------|---------|---|--|
| DIP 6 | OFF | Pre warning light function is switched on. Traffic light (red) | Potential-free switching contact K3, terminal block X9, terminals 1+2 for connecting an external light source. |
| DIP 6 | ON | Pre Warning function is switched on when the OPEN command is given. With the yard light setting, the light then stays on for 2 minutes. | Potential-free switching contact K3, terminal block X9, terminals 1+2 for connecting an external light source. |
| DIP 7 | OFF | Pressure switch testing is not switched on. The pressure switch is not tested at the CLOSED end position. | |
| DIP 7 | ON | Pressure switch testing is switched on. The pressure testing is carried out with the door at the CLOSED end position. For this, the pressure switch contact must be broken for a moment as the door touches the ground. | |

Operation manual

For use with DC MiniMax S

English

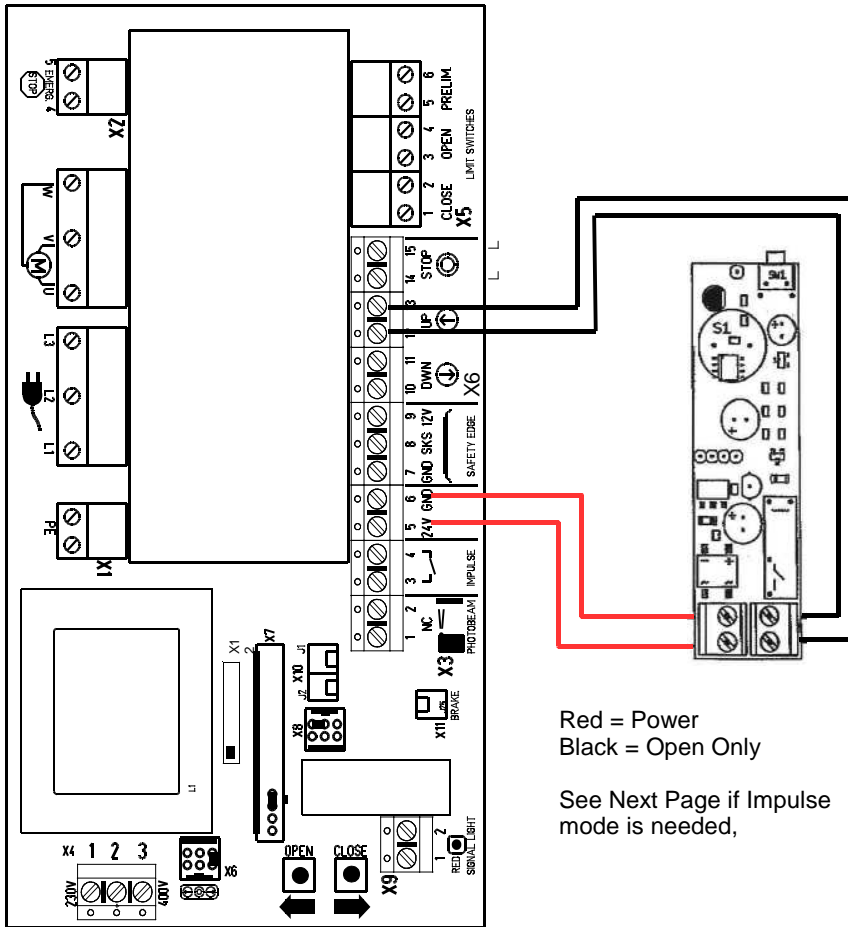
1. The testing of the pneumatic safety edge takes place in the lower door position. Please ensure that the safety edge is activated in the lower door position. The Aux. Limit switch Close has to be used.
2. 2 minute night light period is activated by every movement of the door.
3. Red traffic light without prewarning
prewarning 3sec. flashing before automatic closing
permanent on during the movement, 5 sec. post illumination period
4. Dip switch 4 "ON" = GO function on (OPEN PUSHBUTTON). The OPEN pushbutton opens a door, reversing a closing door. DIP switch 4 OFF, the OPEN pushbutton only opens a door.

LED Signals

| LED flashing | | Operating state |
|-------------------|--|---|
| LED 1 x flashing | | Safety edge actuated |
| LED 2 x flashing | | Photobeam activated / error, Safety edge error or DIP 1 setting wrong |
| LED 3 x flashing | | Primary safety device open or faulty |
| LED 4 x flashing | | Runtime error |
| LED fast flashing | | Automatic closing time has been started |

Operation manual For use with DC MiniMax S

Radio Card, Install and Wiring, Open Only closing on timer



To Program Remotes press and release SW1 (located next to Red LED on top edge of board)
Then press and release the required button on the remote
To Clear All codes press and hold for 10 Seconds,

The Remote should never be used without a monitored safety edge being fitted

